

brandywine communications

M355 LED Line Frequency Display

Based on Brandywine Communications extensive experience in the measurement and display of line frequency, this display provides a clear indication of AC line frequency in digital format.

Features

- Suitable for interior use
- Single-sided display
- Seven segment high-intensity LED digits
- Excellent readability through clear acrylic window
- Wall or desk mounting options available
- Range of colours and styles



These displays are suitable for interior applications where clearly presented line frequency is required. The displays are single-sided and indicate line frequency to 3 decimal places on 7 segment high intensity LED digits.

The use of these digits provides a highly readable indication of frequency for both daylight and night-time viewing.

The display can operate as a stand-alone unit, or it can be used as a remote display in conjunction with a Master Clock, which includes AC Measurement capability.

The display is constructed for internal use with a clear acrylic window for good readability. Each display can either be wall mounted or alternatively a desk mounting option is available.

A range of colours are available. Please contact our Sales Office for further details.

brandywine communications

Specifications

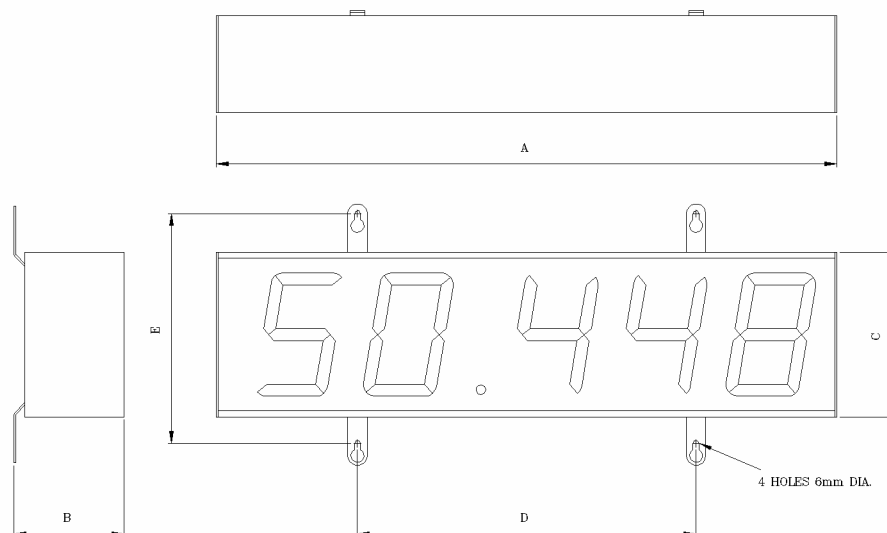
General

Display Technology	:	7 Segment High Intensity LED.
Display Digit Colour	:	Red, Green or Yellow
Power	:	115/230V AC \pm 10% 48-62Hz.
Line Frequency Measurement Input	:	110 - 240V AC \pm 10% 48-62Hz
Measurement Accuracy	:	\pm 0.001 Hz
Display Format resolution	:	Line Frequency to 3 decimal places

Environmental (Operation & Storage)

Temperature:	0°C to +40°C.
Humidity:	Up to 95% RH (non-condensing)
EMC:	CE Compliant

Dimensions:



Display Size	Digit Size	A (mm)	B (mm)	C (mm)	D (mm)	E (mm)	Weight (kg)	Power (W)
Large	100mm	634	93	136	400	200	3.8	30
Standard	60mm	366	93	82	161	150	3	30